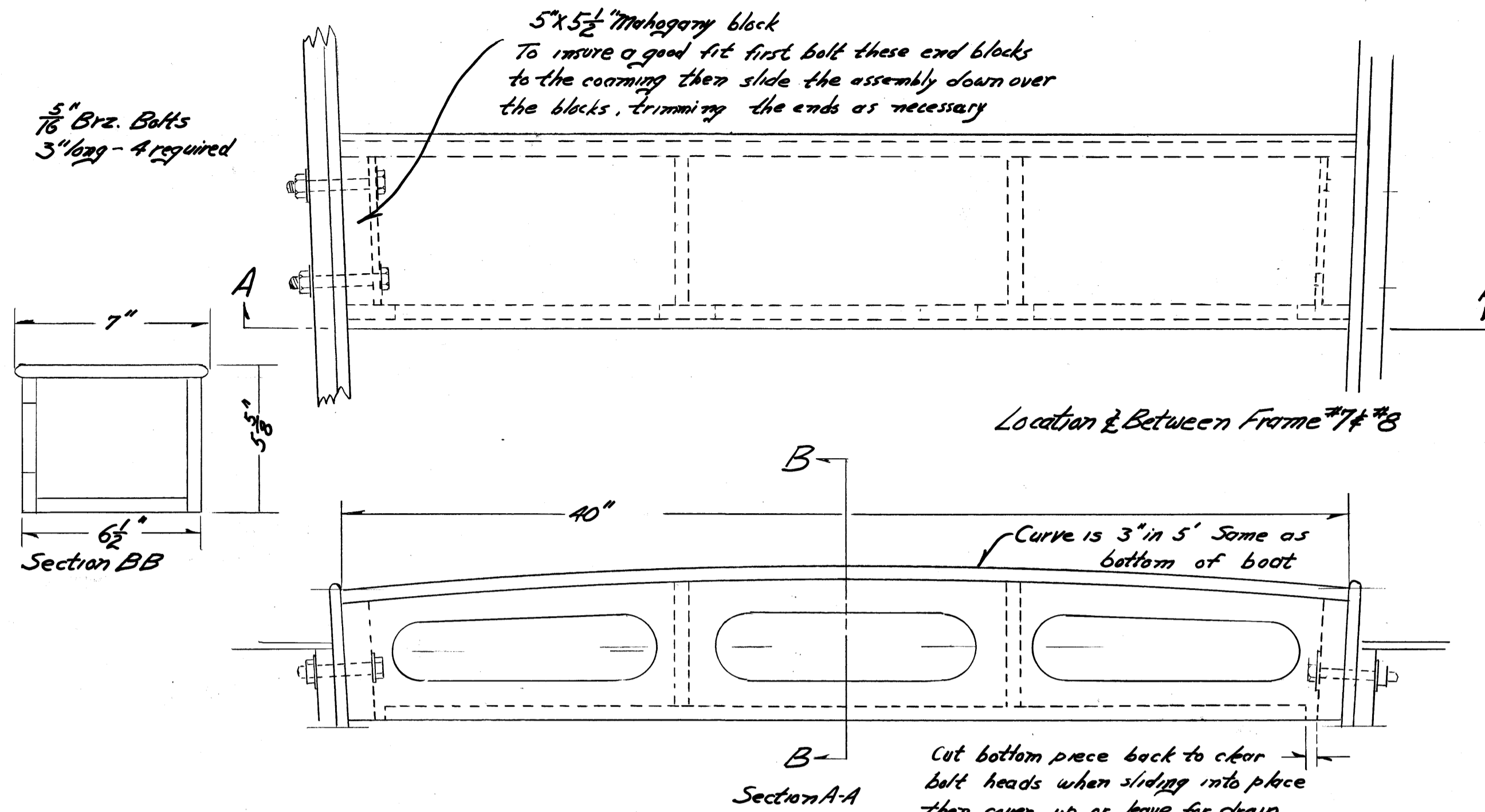
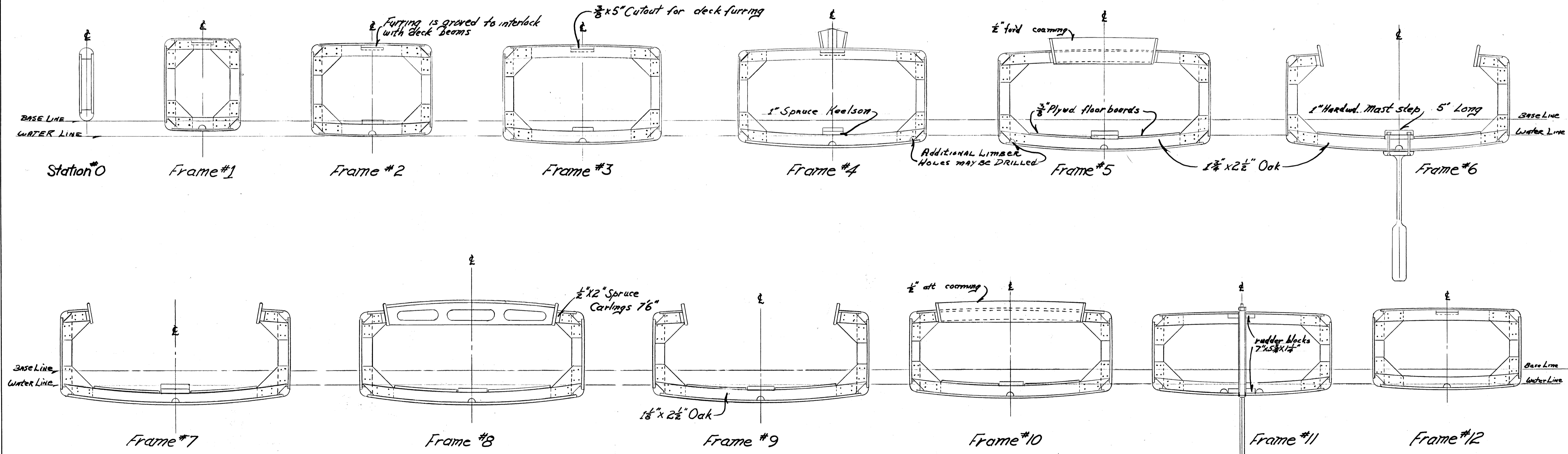


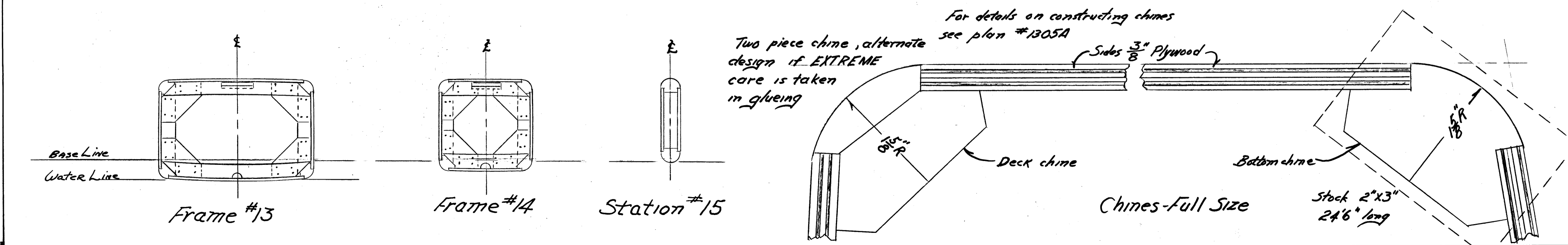
Detail of Stopwater Bow and Stern



Bridge Deck (1/4 size)



THESE PLANS ARE THE PROPERTY OF THE INT'L 110 CLASS AND ARE NOT TO BE USED OR COPIED WITHOUT THEIR PERMISSION



Note: Frames #1 to #7 looking fwd Frames #8 to #14 looking aft

INTERNATIONAL 110 CLASS	
Details of Frames #1 to #14 Bridge Deck & Stopwaters	
From original plans by C. Raymond Hunt	
Drawn by D. Peattie Traced 1987 W.C.M.G.	
Approved:	Drawing No.
W. V. B.	1302