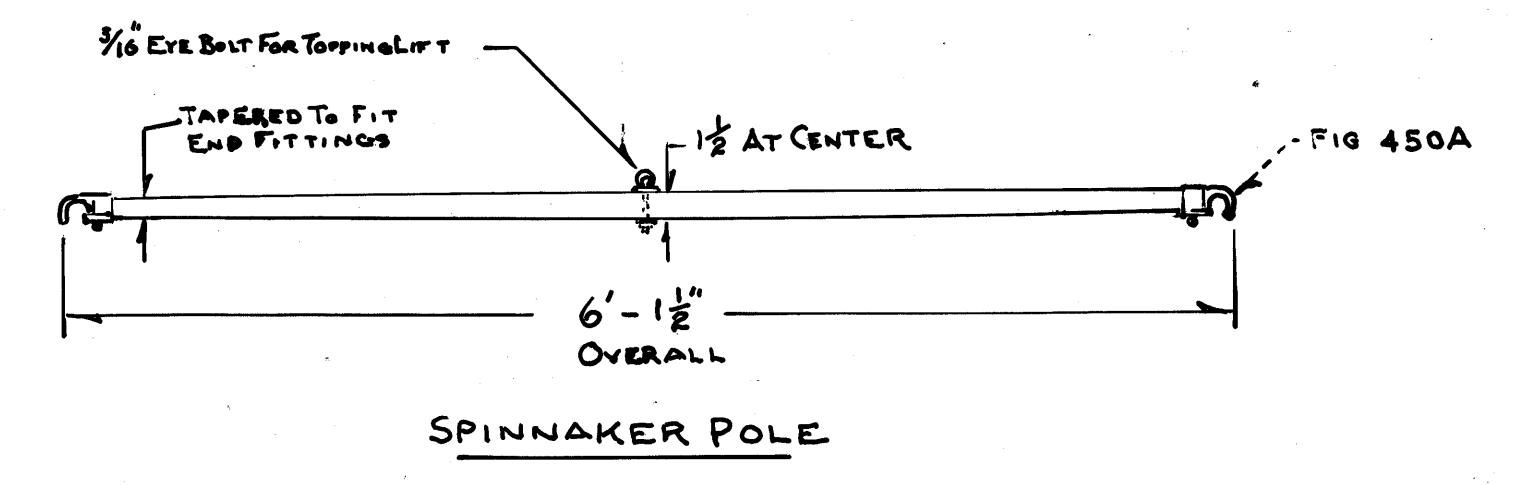


NOTE:
FIG. NUMBERS REFER TO MERRIMAN BROS. CAT. 1948 AND SPECIAL MERRIMAN 110 PART LIST



THESE PLANS ARE THE PROPERTY OF THE INT'L 110 Y.R.A. AND ARE NOT TO BE USED OR COPIED WITHOUT THEIR PERMISSION.

INTERNATIONAL 110 YACHT RACING ASSOC.			
MAST, BOOM, SPINNAKER POLE - DETAILS			
E	Boom was 9'-6" changed to 9'-7"	4/12/52	HTM
D	Added Reinf. Mast	10-16-52	HTM
C	Spinnaker Halyard was 18'-9"	4/12/52	HTM
B	Boom Spinnaker Topping Lift Fittings	2-11-52	HTM
A	Revised to Latest M.C. Fittings	11-22-52	HTM
Rev			

FROM ORIG. PLANS BY C. RAYMOND HUNT, BOSTON

TRADED INTO LICENSING DEPARTMENT NEW

APPROVED APPROVED

1105 E